



PLASTERER
EQUIPMENT COMPANY, INC.

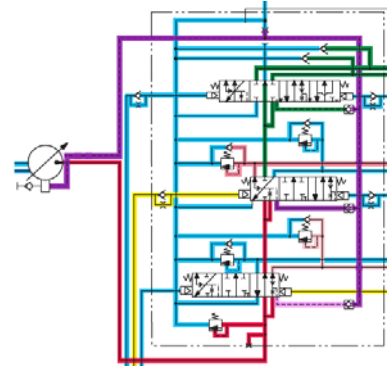


JOHN DEERE

Construction Equipment Hydraulic and Electrical Diagnostic System Training Program's

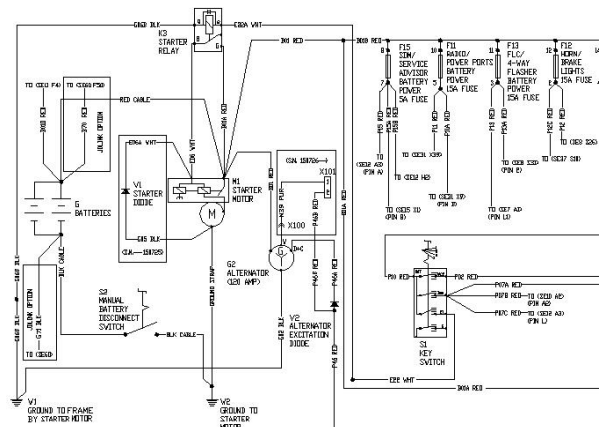
Hydraulic Course (2 Day)

This course will take the student through intermediate hydraulic theories. Students will learn and work with hydraulic schematics and symbols. We will then put these theories to work by having the student diagnose and explain the types of hydraulic circuits. From that point we will take this knowledge and troubleshoot machines in a shop environment using onboard monitor system and digital test equipment.



Electric Course (2 Day)

This course will take the student through intermediate electrical theories. Students will learn and work with electrical schematics and symbols. We will then put these theories to work by having the student diagnose and explain different types of electrical circuits that they themselves have assembled in the classroom and with faulty electrical components and harness's. From that point we will take this knowledge and troubleshoot machines in a shop environment.



This training is for all levels of technicians, however some basic hydraulic and electric knowledge should be known. Even though we are a John Deere Construction and Forestry Dealer, the class is designed to be universal in its teaching, and will be beneficial to the troubleshooting of construction equipment from many different manufactures. Deere equipment will be used for our hands-on diagnostic testing. Students will leave with notebook and material handouts. Tuition cost is \$425.00 for each course. Transportation and lodging costs are not included.

For questions or scheduling of the classes please contact:

Dean Nolt, Senior Technical Advisor

717-273-2616

Dnolt@plasterer.com

